

MPO/MTP® Loopback are used widely within testing environment especially within parallel optics 40 and 100G networks. Devices allow verification and testing of transceivers featuring MPO/MTP® interface - 40G BASED-SR4 QSFP+ or 100G BASE-SR10 CXP/CFP devices.

Loopbacks are built to link Transceivers (TX) and Receivers (RX) positions of MPO/MTP® transceivers interfaces. MPO/MTP® loopbacks can facilitate and speed up IL testing of optical networks segments by connecting them to MPO/MTP trunks/patch leads.

Features/Benefits

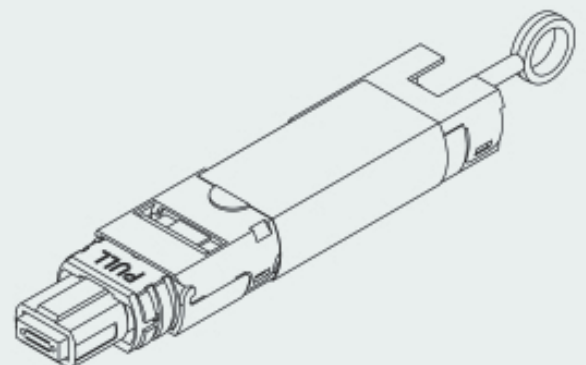
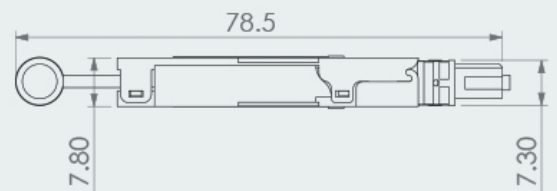
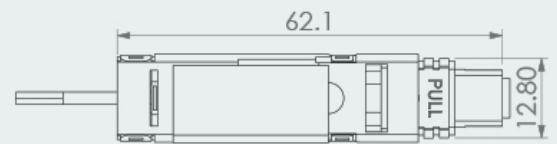
- SM 9/125, MM 50/125
- 12 or 24 Fibre Ferrule MPO/MTP®
- LSZH, OFNP, OFNR Cable Jacket Options
- Female and Male MPO/MTP option of Connectors
- Polarity Variants selection
- 40G QSFP+ and 100G CXP/CFP transceivers
- Factory Terminated and Tested
- **MPO/MTP® Interface** - MPO/MTP® components feature superior optical and mechanical properties

Applications

- Data Centre Infrastructure
- Storage Area Network- Fibre Channel
- Parallel Optics
- Infiniband
- Emerging 40 and 100Gbps Protocols



MPO/MTP Loop Back



Specifications: see next page

Specifications	
Element	Characteristic
Fibre	(SM) G657A2, (MM) OM3, OM4, BIMMF
Connectors	MTP® 12 or 24 Fibre Ferrule US Conec/ Body Colour: Black/ Body Sleeve Colour: MM (Beige), MM Elite (Aqua), SM (Green), SM Elite (Yellow)
Storage Temperature	-20 ~ +60°C
Installation Temperature	-5 ~ +50°C
Operating Temperature	-20 ~ +60°C
Connector Performance	< 1dB (all models)
Additional information	<ul style="list-style-type: none"> • TIA/EIA-568-C.3 and ISO/IEC 11801 • IEC-61754-7 & EIA/TIA-604-5 • Compliant to Directive 2002/95/EC (RoHS) and REACH SvHC

Ordering information	
Description	Part Number
MTP ELITE Female LOOPBACK MM 50/125 12 Fibres TYPE 1 (QSFP+ 40G)	MEFLOOPT1
MTP ELITE Female LOOPBACK MM 50/125 24 Fibres VARIANT 1 (CXP/CFP 100G)	M2EFLOOPV1
MTP ELITE Female LOOPBACK SM 9/125 12 Fibres TYPE1 (QSFP+ 40G)	MEFLOOPT1SM
MTP Female LOOPBACK SM 9/125 24 Fibres VARIANT 1 (CXP/CFP 100G)	M2FLOOPV1SM
MTP ELITE Male LOOPBACK MM 50/125 12 Fibre TYPE 1	MEMLOOPT1
MTP ELITE LOOPBACK MM 50/125 24 Fibres VARIANT 1	M2EMLOOPV1
MTP ELITE Male LOOPBACK SM 9/125 12 Fibres TYPE 1	MEMLOOPT1SM
MTP Male LOOPBACK SM 9/125 24 Fibres VARIANT 1	M2MLOOPV1SM
MTP ELITE Female LOOPBACK MM 50/125 8 Fibres TYPE 2	MEFLOOPT2
MTP ELITE Female LOOPBACK SM 9/125 8 Fibres TYPE 2	MEFLOOPT2SM
MTP ELITE Male LOOPBACK MM 50/125 8 Fibres TYPE 2	MEMLOOPT2
MTP ELITE Male LOOPBACK SM 9/125 8 Fibres TYPE 2	MEMLOOPT2SM

* Loopbacks specified for connection directly to MPO/MTP transceivers must be female as QSFP+ or CXP/CFP transceivers do feature PINS

Our Websites



- mulder-hardenberg.com
- mh-hminterfaces.com
- mh-fiberoptics.com
- mh-labeling.com
- mh-networking.com
- mh-powersupplies.com
- mh-monitoringcontrol.com
- mh-cablemanagement.com
- mh-engineeringcomponents.com



Mulder-Hardenberg, est. 1927, is the answer to professional demands in the domain of electronic related environments. We don't just sell products. We use our multidiscipline knowledge to provide the best possible solution, designed to your specific interest.

Contact details:

The Netherlands
 Mulder-Hardenberg B.V.
 Westerhoutpark 1a
 2012 JL Haarlem
 Tel.: +31 23 531 91 84
 info1@m-h.biz

Belgium, France, Luxemburg
 Mulder-Hardenberg N.V.
 Hoge Weg 129
 B-2940 Stabroek
 Belgium
 Tel.: +32 3 660 13 20
 infoe@m-h.biz

Germany
 Mulder-Hardenberg GmbH
 Nordring 13
 D-65719 Hofheim/Ts
 Tel.: +49 6192 - 97 91 85
 infoe@m-h.biz